

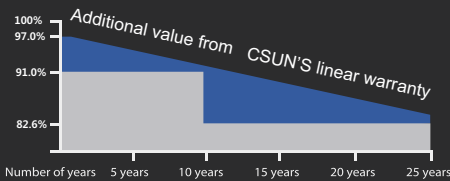
# Galaxy Series Standard Modules

The power output shall not be less than 97.0% of the minimum power output stated in the product datasheet in the first year of the product's life cycle.

The loss of power output shall not exceed 0.60% per year thereafter, ending with 82.60% in the 25th year.

■ CSUN    ■ Standard warranty

CSUN's **NEW** linear performance warranty



# CSUN400-72M

High efficiency PERC tech for esthetic applications

Module Fire Performance: Type 1 (UL 1703)

Fire Resistance Rating: Class C (IEC 61730)

CSUN375-72M

CSUN380-72M

CSUN385-72M

CSUN390-72M

CSUN395-72M

CSUN400-72M

## 20.17%

Module efficiency

## 400W

Highest power output

## 12 Year

Material & workmanship warranty

## 25 Year

Linear power output warranty



Industry leading conversion efficiency



Certificated to withstand wind (2400Pa) and snow load (5400Pa)



Positive tolerance offer



Excellent performance under weak light condition



Passed salt mist & ammonia corrosion, blowing sand and hail testing



Good temperature coefficient enables better output in hot climates

**Munich RE**  
Munich Re providing Re in surance



All rights reserved by CSUN  
Version 1/2020

All information and data are subject to change without notice and are provided without liability.



[www.csunsolartech.com](http://www.csunsolartech.com)

## Electrical Characteristics at Standard Test Conditions (STC)

Module Type	CSUN375-72M	CSUN380-72M	CSUN385-72M	CSUN390-72M	CSUN395-72M	CSUN400-72M
Maximum Power(Pmpp)[W]	375	380	385	390	395	400
Positive Power Tolerance[W]	0~5	0~5	0~5	0~5	0~5	0~5
Open Circuit Voltage(Voc)[V]	48.1	48.3	48.6	48.9	49.1	49.3
Short Circuit Current(Isc) [A]	10.09	10.15	10.20	10.25	10.30	10.36
Maximum Power Voltage(Vmpp)[V]	39.8	40.0	40.3	40.6	40.8	41.1
Maximum Power Current(Imp)[A]	9.43	9.50	9.56	9.62	9.68	9.74
Module Efficiency	18.91%	19.16%	19.42%	19.67%	19.92%	20.17%

Electrical data relates to standard test conditions(STC): irradiance 1000W/m<sup>2</sup>; AM1.5; cell temperature 25°C measuring uncertainty of power is within ±3%. Certified in accordance with IEC61215, IEC61730-1/2 and UL1703.

## Electrical Characteristics at Nominal Operating Cell Temperature(NOCT)

Module Type	CSUN375-72M	CSUN380-72M	CSUN385-72M	CSUN390-72M	CSUN395-72M	CSUN400-72M
Maximum Power(Pmpp)[W]	278	282	285	289	293	297
Open Circuit Voltage(Voc)[V]	44.7	44.9	45.1	45.4	45.6	45.8
Short Circuit Current(Isc) [A]	8.15	8.20	8.24	8.28	8.32	8.37
Maximum Power Voltage(Vmpp)[V]	36.8	37.0	37.3	37.6	37.7	38.0
Maximum Power Current(Imp)[A]	7.55	7.61	7.66	7.71	7.75	7.80

Electrical data relates to nominal operating cell temperature(NOCT): irradiance 800W/m<sup>2</sup>; wind speed 1m/s; cell temperature 45°C ambient temperature 20°C measuring uncertainty of power is within ±3%.

## Temperature Characteristics

Voltage Temperature Coefficient	-0.300%/°C
Current Temperature Coefficient	+0.060%/°C
Power Temperature Coefficient	-0.370%/°C

## Maximum Ratings

Maximum System Voltage(V)	1000/1500
Series Fuse Rating(A)	20
Reverse Current Overload(A)	27

## Mechanical Characteristics

Dimensions	1979×1002×35mm - frame thickness upon request
Weight	22.1kg
Frame	Anodized aluminum profile-black frame upon request
Front Glass	Toughened low iron glass,3.2mm
Cell Encapsulation	EVA(Ethylene-Vinyl-Acetate)
Back Sheet	Composite film-black back sheet upon request
Cell	72(6×12) monocrystalline solar cells (158.75×158.75 )
Junction Box	Rated current≥13A, IP≥65, TUV&UL
Cable	Length 900mm,1×4mm <sup>2</sup>
Connector	MC4/compatible with MC4

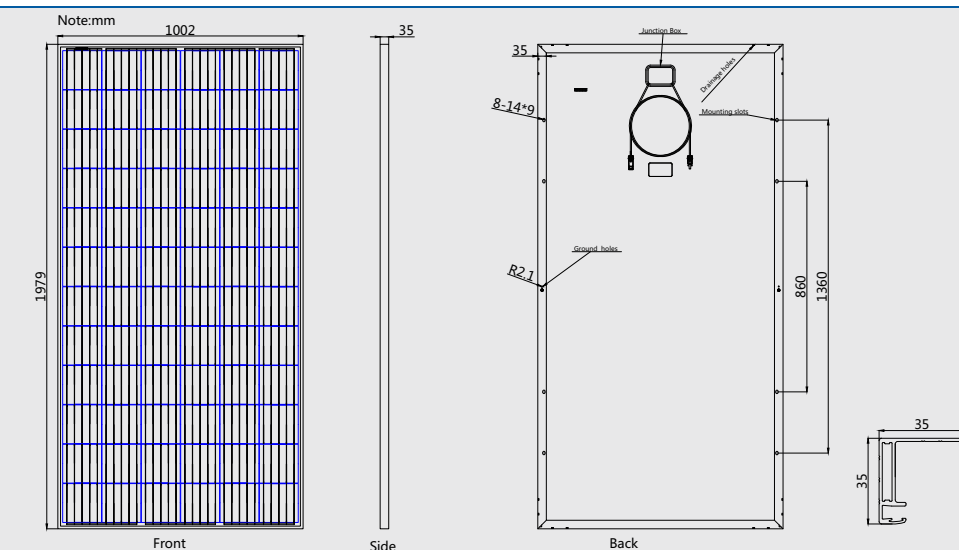
## Packaging

Container 20'	310pcs.
Container 40'	682pcs.
Container 40'HC	737pcs.

## System Design

Temp.Range	-40°F to +185°F(-40°C to +85°C)
Hail	Max. diameter of 0.98"(25mm)with impact speed of 51.2mph(23m/s)
Max.Capacity	Wind 2400Pa, snow 5400Pa-7200Pa upon request
Application Class	A
Safety Class	II

## Dimensions



## I-V Curves

